

VELIA ES

Low Level Order Picker • AC Power
1.0 – 2.0 tonnes

OPB20NE
OPB20NEP
OPB10NEF
OPB10NEFP
OPB20NEX
OPB20NEXP

Unbeatably productive... unbeatably versatile

Beneath their ultra-modern exterior, the highly specified VELIA ES low level order pickers combine operator comfort and precise control with efficient performance to deliver market-leading performance. This award-winning series incorporates a number of key developments, which result in a large productivity advantage over competitors.

From the comfortable and responsive **Maxius** steering wheel to the spacious, uncluttered walk-through operator compartment, featuring the market's biggest platform yet, VELIA has been developed with productivity at its heart. Each model offers a maximum drive speed of 12 km/h when the operator is riding, but sets a safe pedestrian speed in optional walk-beside mode. The series includes a choice of rising platform (P), rising fork (F) and scissor lift fork (X) models, to meet every need.

Operator environment and controls

- **Maxius steering wheel** offers the best in ergonomics, comfort and design, with all operating controls within easy reach of both hands – allowing one-handed operation, if required.
- **Spacious operator area** features the market's biggest platform, allowing for maximum operator movement.
- **Floor sensor** allows activation of the truck as soon as the operator moves into an ergonomic driving position, minimising delays.
- **Uncluttered walk-through cabin** with low step height – just 105 mm – and chamfered platform edges allows easy entry and exit from both sides.
- **Rising platform** allows order picking to a height of 2.5 m for safe second level picking (P models only).
- **Clear display** alerts operators and service engineers to potential problems – helping avoid damage and encourage maintenance.
- **Comfort backrest** reduces driver fatigue.

Frame and body

- **Choice of load sections** includes cantilever and scissor lift, allowing loads to be raised to an ergonomic height of 800 mm – and avoids strain for the operator.
- **Low centre of gravity** together with low-maintenance tandem load wheels ensures high stability.
- **Robust construction** means exceptional durability in all working conditions.

Forks

- **Robust forks** with welded construction, and rounded tips for effortless pallet entry, give extra strength and durability.
- **Choice of rising forks** allows carriage of multiple pallets or mesh containers for added versatility.



Characteristics					
1.1	Manufacturer (abbreviation)			Mitsubishi	Mitsubishi
1.2	Manufacturer's model designation			OPB20NE(NEP)	OPB10NEF(NEFP)
1.3	Power source: (battery, diesel, LP gas, petrol)			Battery	Battery
1.4	Operator type: pedestrian, (operator)-standing, -seated			Stand-on	Stand-on
1.5	Load capacity	Q	(kg)	2000	1000
1.6	Load center distance	c	(mm)	600	600
1.8	Load wheel axle to fork face (forks lowered)	x	(mm)	961	630
1.9	Wheelbase	y	(mm)	2041	1961
Weight					
2.1	Truck weight with maximum battery weight		kg	941 (1070)	1249 (1383)
2.2	Axle loadings with nominal load & maximum battery weight, drive/load side		kg	1072 / 1869 (1046 / 2024)	810 / 1439 (833 / 1550)
2.3	Axle loadings without load & with maximum battery weight, drive/load side		kg	625 / 316 (740 / 330)	724 / 525 (829 / 554)
Wheels, Drive Train					
3.1	Tyres: PT=Power Thane, Vul=Vulkollan, drive/load side			Vul/Vul	Vul/Vul
3.2	Tyre dimensions, drive side		(mm)	250x100	250x100
3.3	Tyre dimensions, load side		(mm)	85x75	85x75
3.4	Castor wheel dimensions (diameter x width)		(mm)	150x50	150x50
3.5	Number of wheels, drive/load side (x=driven)			2+1x/ 4	2+1x/ 4
3.6	Track width (center of tyres), drive side	b10	(mm)	554	554
3.7	Track width (center of tyres), load side	b11	(mm)	374	385
Dimensions					
4.2	Height	h1	(mm)	1335 (1365 / 2045)	1335 (1365 / 2045)
4.4	Lift height (see tables)	h3	(mm)	115	705
4.5	Overall height with mast raised	h4	(mm)	-	1260
4.8	Seat- or stand height	h7	(mm)	105 (117)	105 (117)
4.9	Height of tiller arm / steering console (min./max.)	h14	(mm)	1140 / 1220 (2040)	1140 / 1220 (2040)
4.14	Platform height, raised	h12	(mm)	- (804)	- (804)
4.15	Fork height, fully lowered	h13	(mm)	85	95
4.19	Overall length	l1	(mm)	2413	2667
4.20	Length to fork face (includes fork thickness)	l2	(mm)	1262	1517
4.21	Overall width	b1 / b2	(mm)	810 (820)	810 (820)
4.22	Fork dimensions (thickness, width, length)	s / e / l	(mm)	50 / 166 / 1150	65 / 165 / 1150
4.25	Outside width over forks (minimum/maximum)	b5	(mm)	540	550
4.32	Ground clearance at center of wheelbase, (forks lowered)	m2	(mm)	35	30
4.34	Working aisle width (Ast) with 800 x1200 mm pallets, load lengthwise	Ast	(mm)	2663	2914
4.35	Turning circle radius	Wa	(mm)	2224	2144
Performance					
5.1	Travel speed, with/without load		km/h	12 / 9 / 6 / 12	12 / 9 / - / 12
5.2	Lifting speed, with/without load		m/s	0.1 / 0.1	0.073 / 0.09
5.3	Lowering speed, with/without load		m/s	0.1 / 0.1	0.228 / 0.075
5.7	Gradeability, with/without load		%	7 / 15	7 / 15
5.10	Service brakes (mechanical/hydraulic/electric/pneumatic)			Electric	Electric
Electric motors					
6.1	Drive motor capacity (60 min. short duty)		kW	2.2	2.2
6.2	Lift motor output at 15% duty factor		kW	1.2	1.2
6.4	Battery voltage/capacity at 5-hour discharge		V/Ah	24 / 375, 465	24 / 465, 620
6.5	Battery weight		kg	280 - 360	360 - 475
Miscellaneous					
8.1	Type of drive control			Stepless	Stepless
8.4	Noise level, mean value at operator's ear (EN 12053)		dB(A)	63	59

Continuing improvement may lead to changes in these specifications

* Travel Speed with load 500/1000/2000 Kg



Safe rising platform



Temporary storage tray



Scissor lift forks

VELIA ES

THE FRONT RUNNER

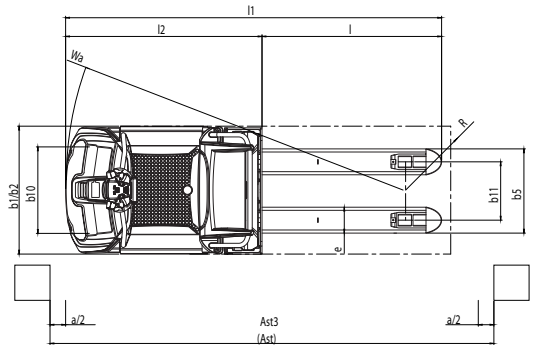
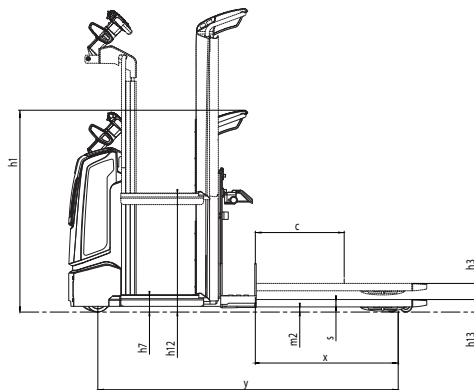
With a name that reflects the speed of its work, VELIA is always ahead of the pack— thanks to award-winning productivity and ergonomics.

Swift, versatile and manoeuvrable, there is a VELIA order picker to meet every need.

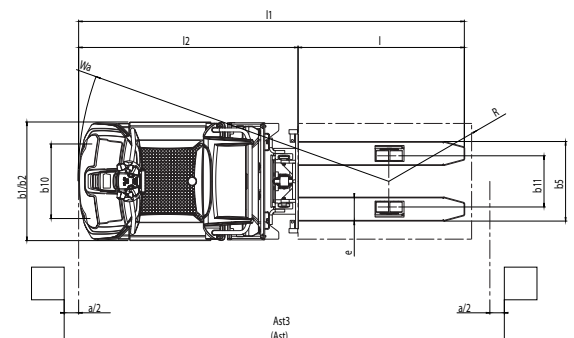
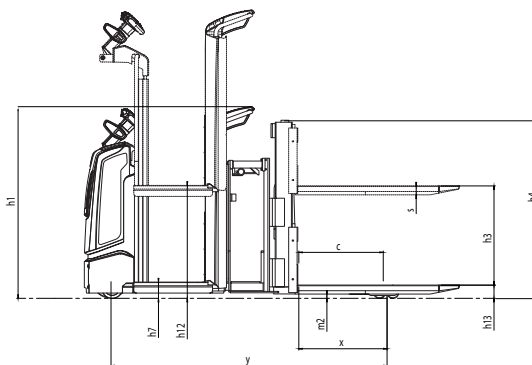
	Mitsubishi OPB20NEX(NEXP)
	Battery
	Stand-on
	2000
	1200
	1480
	2732
	1521 (1650)
	1135 / 2386 (1249 / 2401)
	974 / 547 (1076 / 574)
	Vul/Vul
	Ø250x100
	Ø85x75
	Ø150x50
	2+1x/ 4
	554
	359
	1335 (1365 / 2045)
	725
	1478
	105 (117)
	1140 / 1220 (2040)
	- (804)
	80
	3793
	1444
	810 (820)
	60 / 194 / 2350
	550
	25
	4034
	2914
	12 / 9 / 6 / 12
	0.031 / 0.05
	0.145 / 0.082
	7 / 15
	Electric
	2.2
	1.2
	24 / 465, 620
	360 - 475
	Stepless
	61

OPB20NE: Standard model
OPB20NEP: Model with rising platform

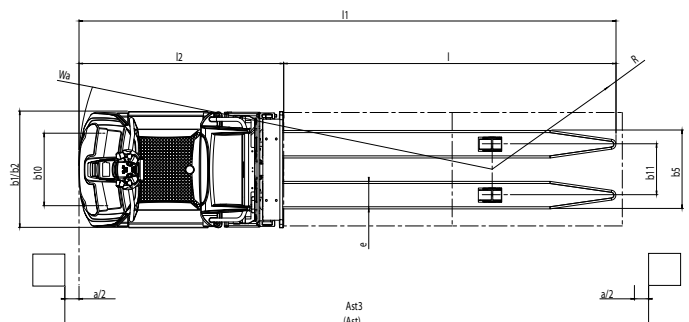
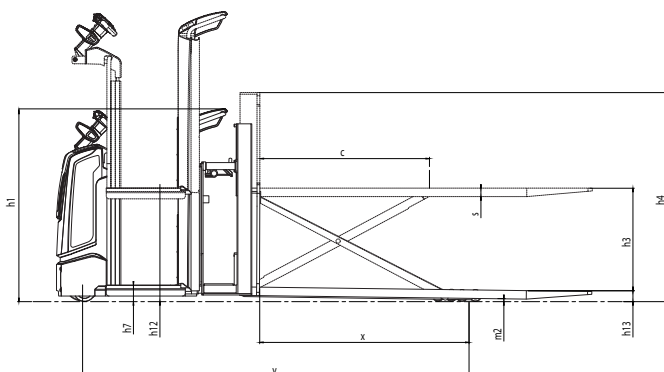
Ast = $Wa - x + l6 + 200$
Ast = Working aisle width
Wa = Turning radius
200 = Safety clearance = 2 x 100 mm
l6 = Pallet length



OPB10NEF: Rising fork model
OPB10NEFP: Model with rising forks and rising platform



OPB20NEX: Scissor lift forks model
OPB20NEXP: Model with scissor lift forks and rising platform





Maxius steering wheel



Spacious operator compartment



Side-mounted controls

Drive

- **Powerful drive motor** provides excellent traction and adjustable acceleration, deceleration and brake force, for smooth, quiet, controlled operation, extended shift length and lower maintenance requirements.

Steering system

- **Advanced electric steering** allows precise control at speed, with automatic speed reduction in curves and automatic drive wheel centring.
- **Small turning circle** together with responsive steering and compact chassis allows exceptional manoeuvrability.

Brakes

- **Regenerative braking** with no drive wheel jamming or brake wear gives effective control and excellent energy efficiency.

Electrical and control systems

- **Unique LED lighting design** offers see-and-be-seen safety in the warehouse and also acts as a turn indicator.
- **Programmable controller** adjusts acceleration, travel speed and braking to suit the application, the operator and the truck – for maximum safety and productivity.
- **High-efficiency electronic system** features waterproof components for maximum reliability – even in moist conditions.
- **On-board diagnostics** and fault memory folder speed up servicing and help prevent damage.

Other features

- **RapidAccess features** give quick and easy entry to all areas for checks and maintenance.

Options include:

- **Limitless 360-degree electronic steering**
- **Customer name/logo/artwork on side panels**
- **Rubber bumper**
- **Pick list holder or computer monitor support**
- **Wide variety of fork dimensions**
- **Battery changing device**
- **Front-mounted safety rail**
- **Shrink-wrap holders**
- **Side-mounted push-button controls**
- **Temporary storage tray on rising platform**



OPB20NEXP

OPB20NE

When **reliability** is **everything**

Like any product bearing the Mitsubishi name, our materials handling equipment benefits from the huge resources and cutting-edge technology of one of the world's largest corporations. So when we promise you **quality, reliability** and **value for money**, you know it's a guarantee we have the power to deliver.

Every model in our comprehensive, award-winning range of forklift trucks and warehouse equipment is built to a high specification and is designed to keep on working for you... day after day... year after year... whatever the job... whatever the conditions.

To ensure your truck stays in constant productive action, we have a network of local dealers – hand-picked for their commitment to customer care... and backed up by the Mitsubishi Forklift Trucks organisation. No matter where you are, we have a dealer close by – ready and willing to meet your needs.

That friendly local service covers everything from identifying the perfect model and configuration for your application to providing competitive, flexible finance and maintenance packages, unbeatable warranties, long and short term hire, and highly responsive field service and repairs... as well as the industry's quickest and most reliable parts supply.

Only Mitsubishi can give you this combination of global engineering excellence and outstanding local support... only Mitsubishi offers you such a quality product at such an affordable price... and only Mitsubishi places reliability as high as you do in its priorities. Contact us now and see what we can do for you.

www.mitforklift.com



WESM1472 (10/12)
© 2012 MCFE
Printed in The Netherlands

mitforklift@mcf.nl www.mitforklift.com

NOTE: Performance specifications may vary depending on standard manufacturing tolerances, vehicle condition, types of tyres, floor or surface conditions, applications or operating environment. Trucks may be shown with non-standard options. Specific performance requirements and locally available configurations should be discussed with your distributor of Mitsubishi forklift trucks. Mitsubishi follows a policy of continual product improvement. For this reason, some materials, options and specifications could change without notice.