

## THD13-15N3 Series

# MAN-DOWN VNA TRUCK

1.3 - 1.5 tonnes

## VNA MASTERY... REACH TRUCK-LIKE AGILITY

Narrow aisles and high racking let you maximise your valuable warehouse space. With the THD13-15N3 Series you get an exceptional VNA truck with reach truck-like agility as well as many similar features - the perfect combination to make the most of your optimised layout.

### SPECIFICATIONS

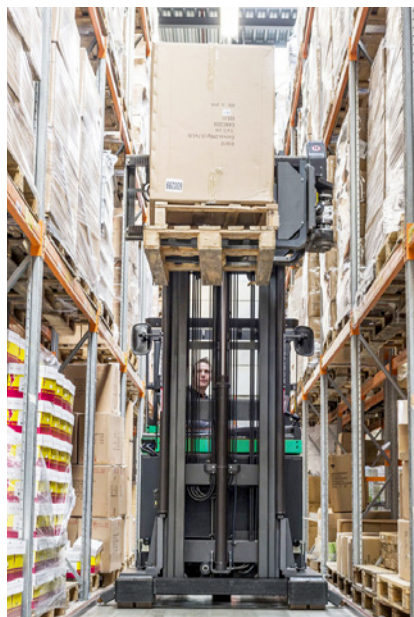
THD13N3  
THD15N3



WHEN  
**RELIABILITY IS**  
EVERYTHING...

# THD13-15N3 Series MAN-DOWN VNA TRUCK

1.3 – 1.5 tonnes



**Its market-leading performance – with top speeds of up to 14 km/h – combined with ergonomic design and comprehensive safety features make for high productivity through incredibly efficient, safe operation.**

When outside of aisles, VNA trucks can often be less efficient and manoeuvrable. This usually means P&D stations and feeder trucks are needed so the VNA trucks can remain in the aisles. The cycle times of VNA trucks and feeder trucks rarely sync up, which means time wasted while one is sat idle.

By combining the best of man-down VNA and reach truck capability in a single truck, operators can fetch their own pallets without having to rely on extra staff and head straight into the very narrow aisles. With trucks that do both, you can optimise your space and optimise your operations: lower costs by streamlining the number of trucks and personnel, and increase capacity by not having P&D stations.



## BRAKES

- **End of aisle braking system (option)**  
The truck automatically slows as it reaches the end of an aisle for greater safety.

## DRIVE

- **Automatic Speed Reduction**  
When the truck is outside of stacking aisles, drive speed is automatically limited when forks are above a certain height.
- **Durable drive wheel**  
Low-wear drive wheel means less maintenance and lower costs.
- **Active Spin Reduction (option)**  
Helps to stop the drive wheel spinning. This minimises grip loss while also reducing wear on the wheel.

## ELECTRICAL AND CONTROL SYSTEMS

- **On-board diagnostics and fault memory folder**  
Speed up servicing and help prevent damage.

## FORKS AND MAST

- **Level Assistance System (option)**  
Automatically detects the operator's intention and stops when the forks are at precisely the right level.

## FRAME AND BODY

- **Robust chassis**  
Built for intensive operations, with great inherent strength and high residual capacities.
- **Modular design**  
Limits the number of parts used meaning service engineers can carry fewer parts to keep the first-time fix rate incredibly high.

## OPERATOR COMPARTMENT AND CONTROLS

- **Easy-access compartment**  
Features like ergonomic hand bars, low non-slip step and a wide entry provide safe and effortless entry and exit.
- **Multifunctional Ergologic Joystick**  
This intuitive and highly ergonomic joystick controls up to seven different functions, including lifting, lowering, fork rotation, fork traversal, and direction control (optional)
- **Electrically adjustable floor height**  
Can be adjusted to suit each operator to provide a more ergonomic seating position.
- **Spacious and comfortable cabin, clear view and fast, accurate fork positioning**  
This all helps to increase productivity and reduce risks of driver fatigue - even on the longest shifts.
- **Tilting seat with ergonomic backrest**  
Drivers are kept safe, comfortable, and alert through long shifts.



There is more information on the Mitsubishi Man-Down VNA Trucks on our website



mft2.eu/thdn3

## THD13-15N3 Series MAN-DOWN VNA TRUCK

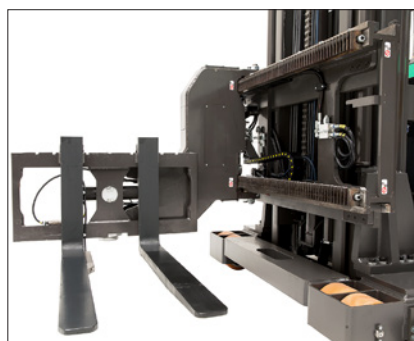
1.3 – 1.5 tonnes



- **Automotive-style pedals**  
Pedals are placed in a familiar position for intuitive operation.
- **Hands-free direction controls**  
Directional controls in the accelerator means the control workload can be distributed between hands and feet.
- **Hand-operated direction control (option)**  
Suitable for environments where pedal direction control would be difficult, or for operators who prefer to control direction with their hands.
- **Mast mirrors**  
Adjustable curved mirrors give the operator an excellent view of the truck, load, or fork tips from their normal driving position while at ground level.
- **PIN-code access**  
Stops unauthorised truck use and keeps you aware of who's operating at all times.
- **Transparent overhead guard (option)**  
Improves safety by offering an unobstructed view of forks and load.
- **Fingertip hydraulic controls (option)**  
Integrated, fully adjustable, and allows effortless precision.
- **Position light (option)**  
Aligning the red laser with rack marking allows the driver to quickly ensure the forks are central to the desired position.

### STEERING SYSTEM

- **Mini steering wheel with floating armrest**  
Ergonomically adjustable to reduce strain and lower risk of RSI.
- **360-degree steering (option)**  
Selectable via personal PIN code. The operator can keep the truck in constant motion - saving seconds on every turn.
- **Midi steering wheel (option)**  
Adjustable positioning with tilt function.



There is more information on the Mitsubishi Man-Down VNA Trucks on our website





# VDI - PERFORMANCE & DIMENSIONS

CHARACTERISTICS		Mitsubishi Forklift Trucks	Mitsubishi Forklift Trucks
1.1	Manufacturer	THD13N3	THD15N3
1.2	Manufacturer's model designation	Battery	Battery
1.3	Power source	Seated	Seated
1.4	Operator type	1250	1500
1.5	Load capacity	400 - 600	400 - 600
1.6	Load center distance	1534	1534
1.9	Wheelbase		
WEIGHT			
2.1b	Truck weight without load, with maximum battery weight	6674	6674
2.3	Axle loadings without load & with maximum battery weight, drive / load side	2804 / 3870	2804 / 3870
WHEELS, DRIVE TRAIN			
3.1	Tyres: PT = Power Thane, Vul = Vulkollan, P = Polyurethane, N = Nylon, R = Rubber drive / load side	Vul	Vul
3.2	Tyre dimensions, drive side	355 x 155	355 x 155
3.3	Tyre dimensions, load side	200 x 110	200 x 110
3.5	Number of wheels, load / drive side (x = driven)	4 / 1x	4 / 1x
3.7	Track width (center of tyres), load side	1312	1312
DIMENSIONS			
4.2a	Height with mast lowered	see table	see table
4.3	Free lift	see table	see table
4.4	Lift height	see table	see table
4.5	Height with mast extended	see table	see table
4.7	Height to top of overhead guard	2205	2205
4.8	Seat- or stand height	1077	1077
4.10	Height of support legs	230	230
4.15	Fork height, fully lowered	65	65
4.19	Overall length	3010 <sup>1)</sup>	3010 <sup>1)</sup>
4.21	Overall width	1450	1450
4.22	Fork dimensions (thickness, width, length)	40 / 100 / 800, 1000, 1150	40 / 100 / 800, 1000, 1150
4.24	Fork carriage width	730	730
4.25	Outside width over forks (minimum-maximum)	520 / 710	520 / 710
4.27	Width over guide rollers (minimum-maximum)	1594	1594
4.32	Ground clearance at center of wheelbase, (forks lowered)	55 <sup>1)</sup>	55 <sup>1)</sup>
4.33	Working aisle width (Ast) with 1000 x 1200 mm pallets, load crosswise	1640 <sup>1)</sup>	1640 <sup>1)</sup>
4.34	Working aisle width (Ast) with 800 x 1200 mm pallets, load lengthwise	1640 <sup>1)</sup>	1640 <sup>1)</sup>
4.35	Turning radius	1753 <sup>1)</sup>	1753 <sup>1)</sup>
4.37	Truck length including support legs	1866 <sup>1)</sup>	1866 <sup>1)</sup>
4.41	Transfer aisle width (pallet 1000 x 1200 mm lengthwise & 200mm clearance)	3700 <sup>1)</sup>	3700 <sup>1)</sup>
PERFORMANCE			
5.1	Travel speed, with / without load	12 <sup>2)</sup>	12 <sup>2)</sup>
5.2	Lifting speed, with / without load	0.38 / 0.47	0.34 / 0.47
5.3	Lowering speed, with / without load	0.57 / 0.54	0.57 / 0.54
5.7	Gradeability, with / without load	4.9 / 5.8	4.7 / 5.8
5.8	Maximum gradeability with / without load	10.4 / 12.3	10.4 / 12.3
5.9	Acceleration time (10 metres) with / without load	6.5 / 5.5	6.0 / 5.5
5.10	Service brake	Electric	Electric
ELECTRIC MOTORS			
6.1	Drive motor capacity (60 min. short duty)	7.2	7.2
6.2	Lift motor output at 15% duty factor	15	15
6.3	Battery to DIN	43531C	43531C
6.4	Battery voltage/capacity at 5-hour discharge	48 / 620 - 930	48 / 620 - 930
6.5	Battery weight	1240 - 1567	1240 - 1567
MISCELLANEOUS			
8.1	Type of drive control	Electronic	Electronic
10.1	Maximum operating pressure for attachments	150	150
10.2	Oil flow for attachments	25	25
10.7	Level of noise at the ear level of the driver according to EN 12 053:2001 and EN ISO 4871 in work LpAZ	62.1	62.1

## THD13-15N3 Series MAN-DOWN VNA TRUCK

1.3 – 1.5 tonnes



- 1) Value dependent on guidance system used.  
See table on next page for Wire Guidance and Rail Guidance values.
- 2) Unguided mode.  
For Wire Guided and Rail Guided values see table on next page.

# VDI - PERFORMANCE & DIMENSIONS

WIRE GUIDANCE				THD13N3	THD15N3
<b>DIMENSIONS</b>					
4.19	Overall length	l1	(mm)	3116	3116
4.33	Working aisle width (Ast) with 1000 x 1200 mm pallets, load crosswise	Ast	(mm)	1700	1700
4.34	Working aisle width (Ast) with 800 x 1200 mm pallets, load lengthwise	Ast	(mm)	1700	1700
4.35	Turning radius	Wa	(mm)	1858	1858
4.37	Truck length including support legs	l7	(mm)	1972	1972
4.41	Transfer aisle width (pallet 1000 x 1200 mm lengthwise & 200mm clearance)	Au	(mm)	4200	4200
<b>PERFORMANCE</b>					
5.1	Travel speed, with / without load		km/h	9	9

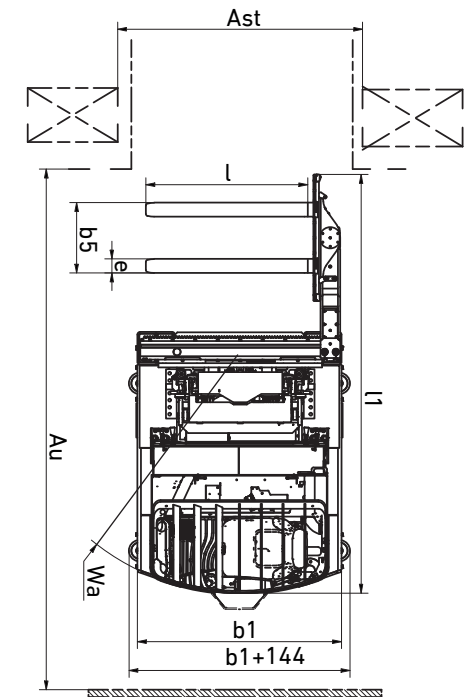
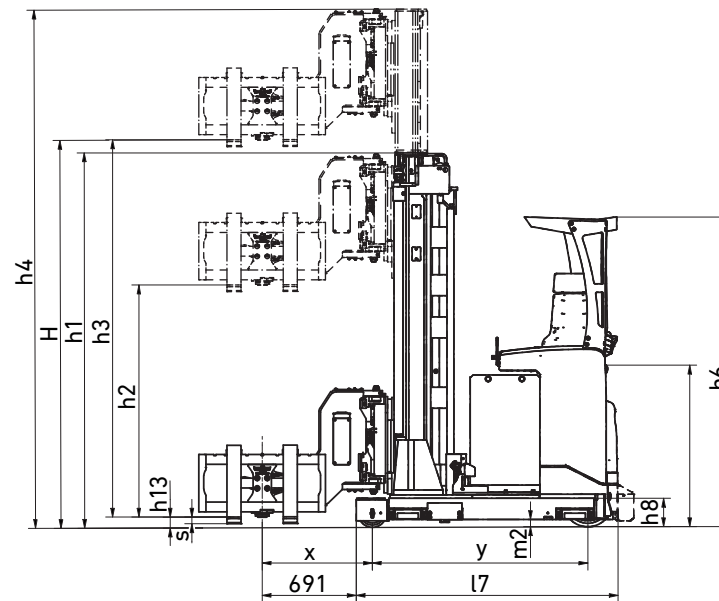
RAIL GUIDANCE				THD13N3	THD15N3
<b>DIMENSIONS</b>					
4.19	Overall length	l1	(mm)	3010	3010
4.31	Ground clearance (lowest point)	m1	(mm)	28	28
4.32	Ground clearance at center of wheelbase, (forks lowered)	m2	(mm)	55	55
4.33	Working aisle width (Ast) with 1000 x 1200 mm pallets, load crosswise	Ast	(mm)	1640	1640
4.34	Working aisle width (Ast) with 800 x 1200 mm pallets, load lengthwise	Ast	(mm)	1640	1640
4.35	Turning radius	Wa	(mm)	1753	1753
4.37	Truck length including support legs	l7	(mm)	1866	1866
4.41	Transfer aisle width (pallet 1000 x 1200 mm lengthwise & 200mm clearance)	Au	(mm)	3700	3700
<b>PERFORMANCE</b>					
5.1	Travel speed, with / without load		km/h	14	14

## THD13-15N3 Series MAN-DOWN VNA TRUCK

1.3 – 1.5 tonnes

# MAST PERFORMANCE AND CAPACITY

THD13N3 - THD15N3				
MAST TYPE	Lifting height h3 + h13 mm	Lowered mast height h1 mm	Free lift height h2 + h13 mm	Raised mast height h4 mm
TRIPLEX	4950	2670	1780	5840
	5400	2820	1930	6290
	5900	2987	2097	6790
	6600	3220	2330	7490
	7100	3387	2497	7990
	7600	3553	2663	8490
	7950	3670	2780	8840
	8550	3870	2980	9440
	9150	4070	3180	10040
	9750	4270	3380	10640
	10350	4470	3580	11240



# STANDARD EQUIPMENT & OPTIONS

- = Standard
- = Option

	THD13N3	THD15N3
<b>GENERAL</b>		
Automatic electric parking brake	●	●
Steering wheel angle indicator	●	●
Battery indicator with cut out at 20% remaining battery level	●	●
ATC 3 truck computer with display and keyboard	●	●
Electric adjustable floor height	●	●
Suspension seat with weight-controlled tilting high backrest	●	●
Max drive speed 14 km/h	●	●
Chill store design, down to +1° Celsius	●	●
Paper storage and cup holder	●	●
Battery on steel rollers	●	●
Other RAL-colour	●	●
<b>MAST, FORKS AND CARRIAGE</b>		
Tri-lateral fork head attachment	●	●
Side mirrors on mast	●	●
Lift stop with-/without restart	●	●
Level selector	●	●
Level Assistance System (LAS)	●	●
Lift height indicator	●	●
Weight and height indication	●	●
Fork camera with RLED display	●	●
<b>DRIVE AND LIFT CONTROLS</b>		
Mini steering wheel with floating armrest, adjustable height and length	●	●
180-degree electric power steering	●	●
360-degree electric power steering	●	●
Midi steering wheel	●	●
Ergologic Joystick	●	●
Fingertip controls	●	●
Hands-free direction control (HFDC) in accelerator pedal	●	●
Hand-operated direction control	●	●
Active Spin Reduction (ASR)	●	●
Creep speed when forks above 500 mm while outside of guided aisle	●	●
Wire guidance	●	●
Rail guidance	●	●
End of Aisle (EoA) drive speed reduction or precise stop	●	●

## THD13-15N3 Series MAN-DOWN VNA TRUCK

1.3 – 1.5 tonnes



Battery on steel rollers



Ergologic Joystick



Mini steering wheel



Midi steering wheel



Wire guidance (sensor)

# STANDARD EQUIPMENT & OPTIONS

- = Standard
- = Option

	THD13N3	THD15N3
<b>ELECTRIC</b>		
Blue / Red point safety light, towards forward driving direction	●	●
Position light laser system	●	●
Automatic logoff	●	●
Battery level audible warning	●	●
Working lights LED	●	●
Working lights LED for heated cabin	●	●
Warning light on overhead guard	●	●
Warning light for heated cabin	●	●
Key switch entry	●	●
12 V connector	●	●
Converter 48 - 12 V	●	●
Radio with MP3	●	●
Service alarm	●	●
<b>OHG AND CABIN</b>		
Heated cabin	●	●
Window opening in heated cabin door	●	●
Two-way intercom for heated cabin	●	●
Panoramic ProVision roof	●	●
Metal mesh on overhead guard	●	●
PVC seat	●	●
Heated seat – fabric	●	●
Heated seat – PVC	●	●
Headrest for seat	●	●
Rear view mirror	●	●
Equipment bar (accessory rack)	●	●
Writing desk	●	●
Equipment holder, RAM system size C	●	●
Equipment holder, RAM system size C, 2 pcs	●	●
Equipment holder, RAM system size D	●	●
<b>WHEEL OPTIONS</b>		
Vulkolan® traction wheel 95 Shore	●	●
Tractothan® traction wheel 93 Shore	●	●
Load wheels Ø 200mm	●	●
<b>ENVIRONMENT</b>		
Chill store design, down to +1 °C	●	●
Cold store design, 0C° to -35C°	●	●

## THD13-15N3 Series MAN-DOWN VNA TRUCK

1.3 – 1.5 tonnes



Blue / Red point point safety light



Panoramic ProVision roof



Two-way intercom and window opening for heated cabin



Headrest for seat



# WHEN RELIABILITY IS EVERYTHING...



Like any product bearing the "MITSUBISHI" name our materials handling equipment benefits from the tremendous heritage, huge resources and cutting-edge technology of one of the world's largest corporations – Mitsubishi Heavy Industries Group.

Engineering spacecraft, jet planes, power plants and more, MHI specialises in those technologies where performance, dependability and superiority decide your success or failure...

So when we promise you quality, reliability and value for money, you know it's a guarantee we have the power to deliver.

That's why every model in our award-winning and comprehensive range of lift trucks and warehouse equipment is built to a high specification – to ensure it keeps working for you. Day after day. Year after year. Whatever the job. Whatever the conditions.

## YOU'LL NEVER WORK ALONE

As your local authorised dealer, we are here to keep your trucks working – through our extensive experience, our technical excellence and our commitment to customer care.

We are your local experts, backed by efficient channels to the entire organisation of Mitsubishi Forklift Trucks.

No matter where you are, we are close by – with the capability to meet your needs.

Discover how Mitsubishi Forklift Trucks give you more from your local authorised dealer or when you visit our website [www.mitforklift.com](http://www.mitforklift.com)

Performance specifications may vary depending on standard manufacturing tolerances, vehicle condition, types of tyres, floor or surface conditions, applications or operating environment. Trucks may be shown with non-standard options. Specific performance requirements and locally available configurations should be discussed with your distributor of Mitsubishi forklift trucks. We follow a policy of continual product improvement. For this reason, some materials, options and specifications could change without notice.

[info@mitforklift.com](mailto:info@mitforklift.com)

WESM2127 (04/21) © 2021 MLE



Mitsubishi Logisnext Europe B.V.  
Hefbrugweg 77, 1332 AM Almere  
The Netherlands  
Tel: +31 (0)36 5494 411



[mft2.eu/fb](http://mft2.eu/fb)



[mft2.eu/apps](http://mft2.eu/apps)



[mft2.eu/youtube](http://mft2.eu/youtube)



[mft2.eu/facebook](http://mft2.eu/facebook)

